

REV A  
SHEET 1  
25-T-MT  
DWG NO.

**SPECIFICATIONS:**

25 WATT COAXIAL TERMINATION

POWER RATING: 25 WATTS MAXIMUM @ 40°C.  
30 WATTS MAXIMUM @ 25°C.

CONNECTOR: TNC-TYPE, MALE

FREQUENCY RANGE & VSWR: DC TO 1GHz AT 1.10:1 MAX.  
1GHz TO 4GHz AT 1.25:1 MAX.

IMPEDANCE: 50 OHMS, NOMINAL

AMBIENT TEMPERATURE RANGE: -40°C TO +40°C

OPERATING POSITION: ANY

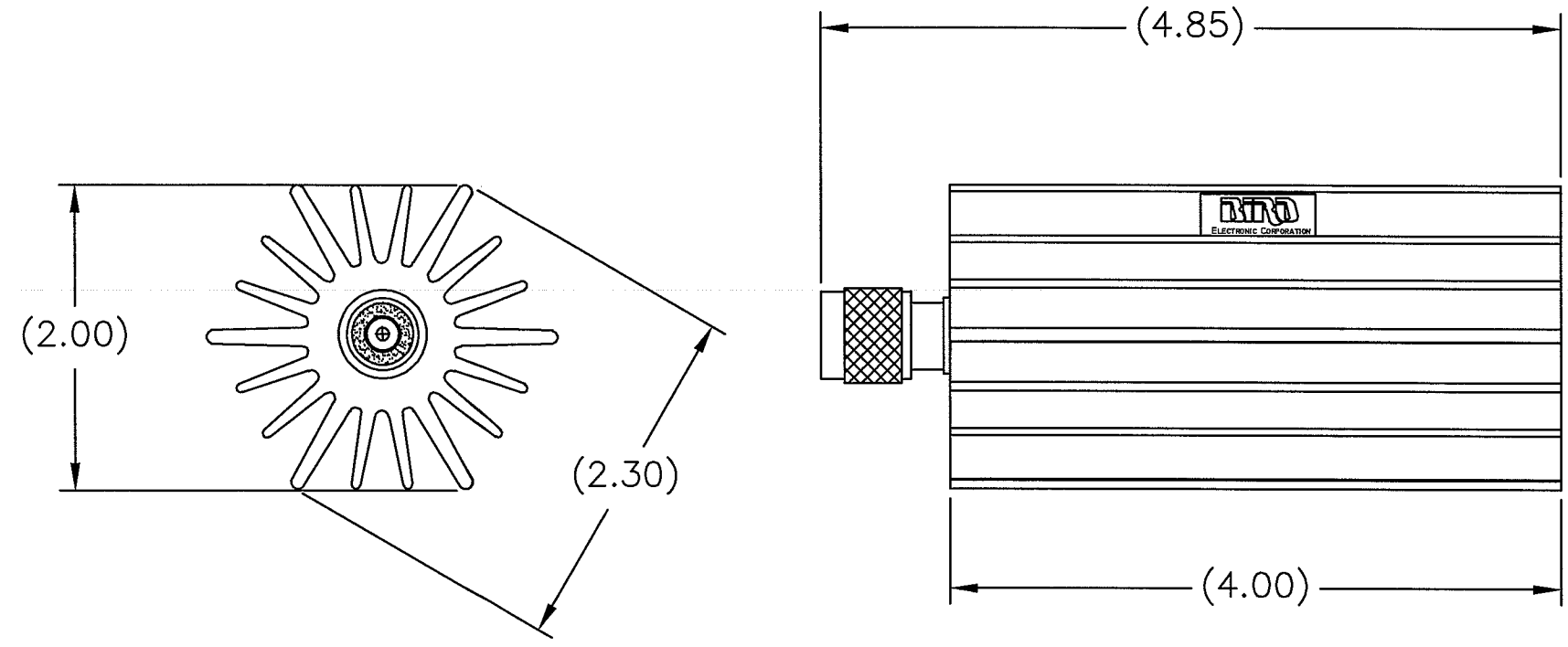
COOLANT: DRY (CONVECTION COOLED)

FINISH: BLACK ANODIZED COOLING FINN, SILVER OR TRI-ALLOY PLATED CONNECTORS

NOMINAL SIZE: 4.85"L X 2.3" DIA. (WITH TNC-TYPE, MALE CONNECTOR)

WEIGHT: APPROX. 7 OZ.

REVISIONS				
ZONE	REV	DESCRIPTION	DATE	APPROVED
	A	ECN #0185	5-15-03	<i>mev</i>



UNLESS OTHERWISE SPECIFIED  
DIMENSIONS ARE IN INCHES  
TOLERANCES ARE:  
FRACTIONS DECIMALS ANGLES  
± 1/64 .XX = ± .010 ± 30'  
.XXX = ± .005

MILLIMETERS  
.X = ± .4  
.XX = ± .12

DO NOT SCALE DRAWING

THIS DRAWING IS THE PROPERTY OF THE BIRD ELECTRONIC CORPORATION. THE DESIGNS AND SPECIFICATIONS DISCLOSED HEREON ARE PROPRIETARY AND SHALL NOT BE REPRODUCED, NOR COPIED, NOR USED AS THE BASIS FOR THE MANUFACTURE OR SALE OF APPARATUS OR DEVICES WITHOUT THEIR EXPRESS WRITTEN CONSENT.



MATERIAL	APPROVALS	DATE	TITLE		
	DRAWN D.M.RINK	5-15-03	FINAL ASS'Y, TERMINATION TNC-TYPE MALE, 25W		
FINISH	CHECKED		SIZE B	FSCM NO. 70998	DWG. NO. 25-T-MT
	APPROVED <i>mev</i>	6-15-03	SCALE 1:1	COMM CODE LD1	REV A
		AUTOCAD	SHEET 1 OF 1		